

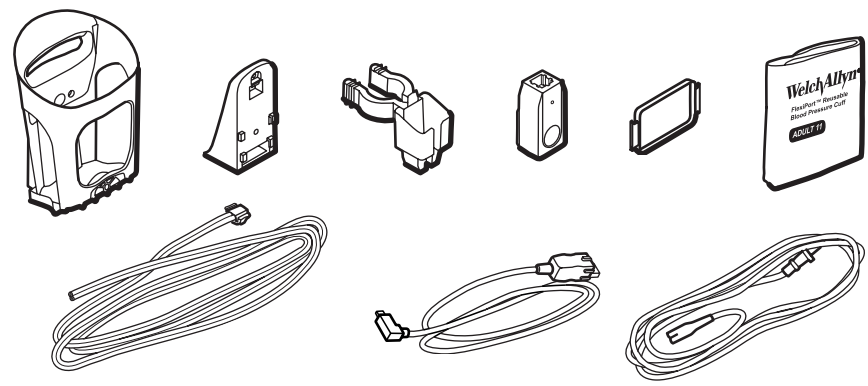
ProBP 3400 Mobile Stand Accessory Assembly Instructions

REF 4600 Series

Mat. No. 750465, 80026323 Ver. A
Revision date: 2020-01
©2020 Welch Allyn, Inc. All rights reserved.

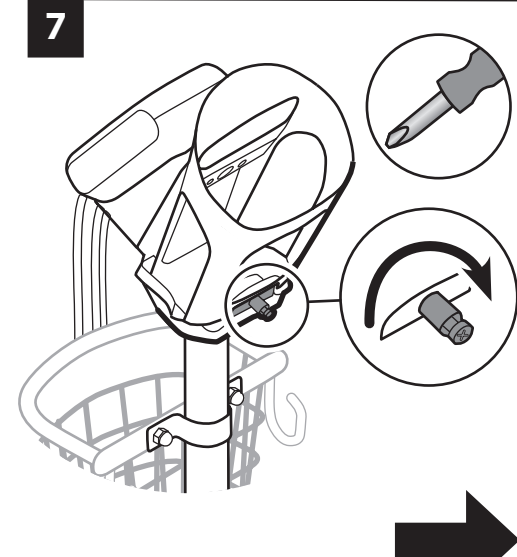
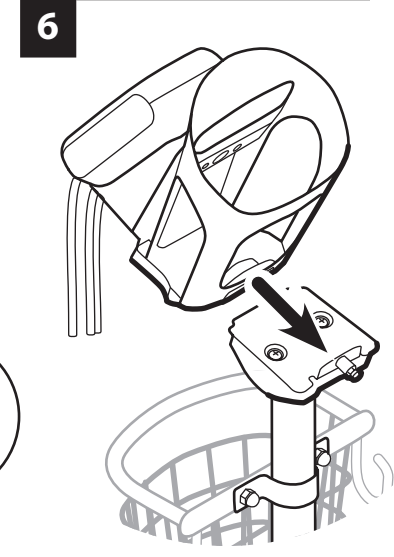
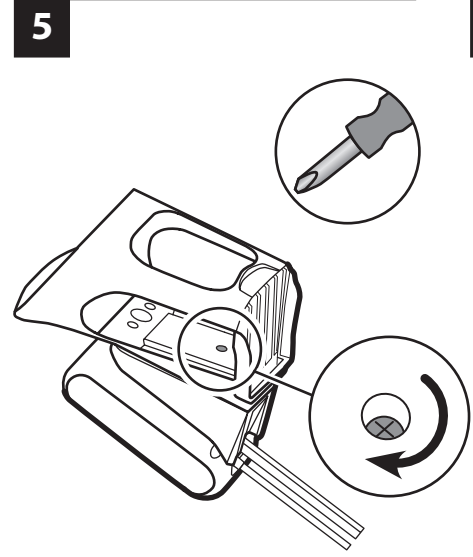
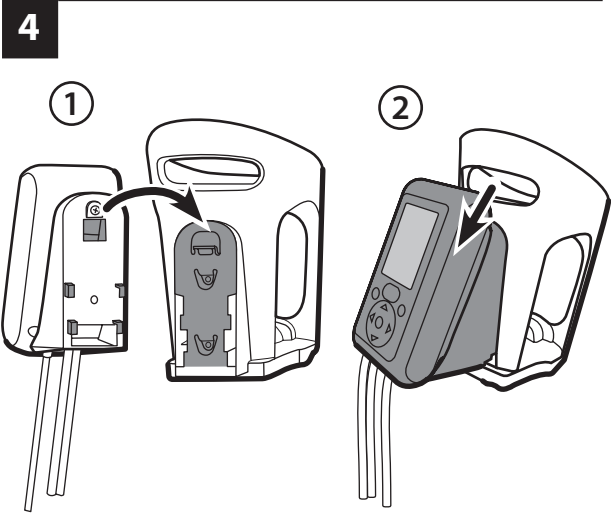
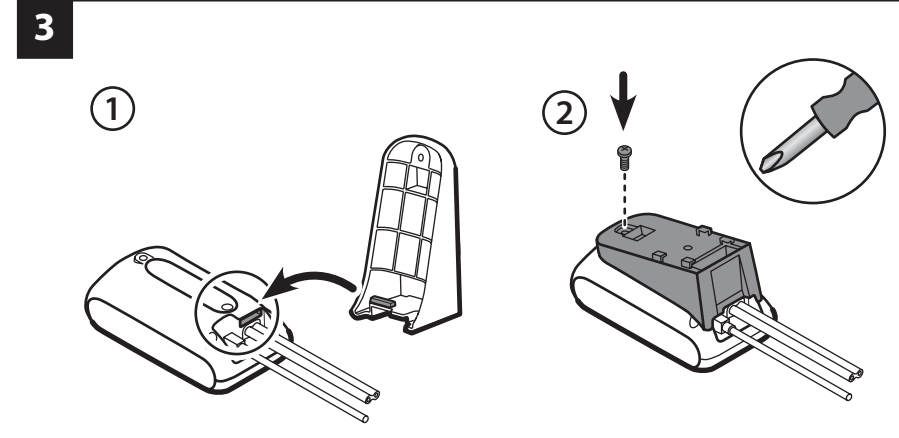
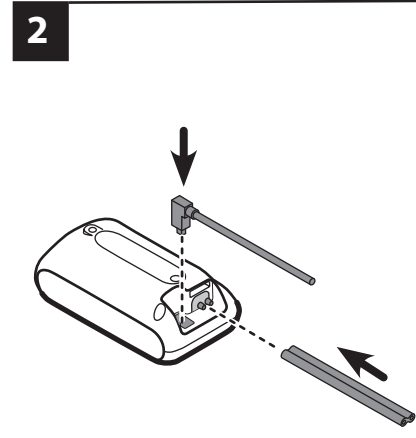
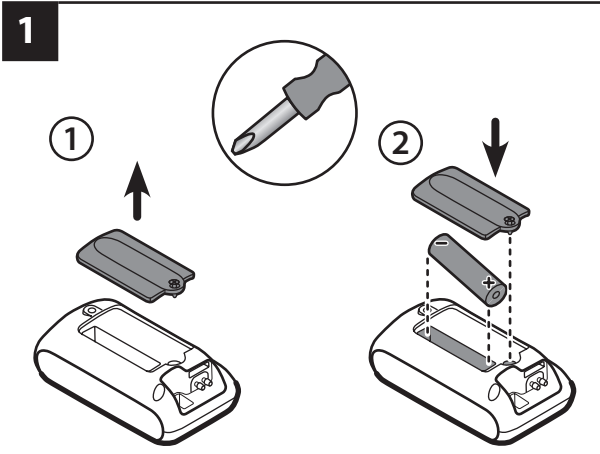
hillrom.com
Hillrom Technical Support hillrom.com/en-us/about-us/locations/
Welch Allyn, Inc. is a subsidiary of Hill-Rom Holdings, Inc.

Required
Obligatoire
Richieste
Erforderlich
Necesaria
Necessário
Påkævet
Vereist
Vaaditaan
Påkrevd
krävs
Wymagane
Необходимо
필수
必要

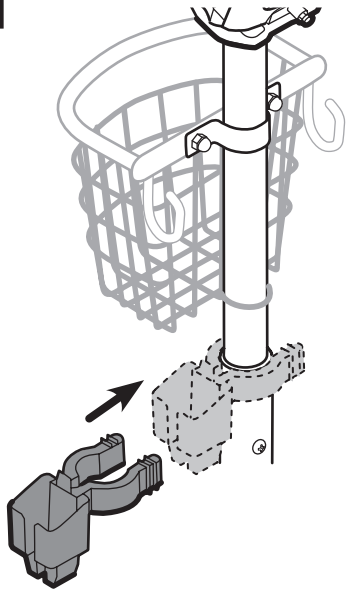


www.med surg.com.au
Fax 07 3859 2995

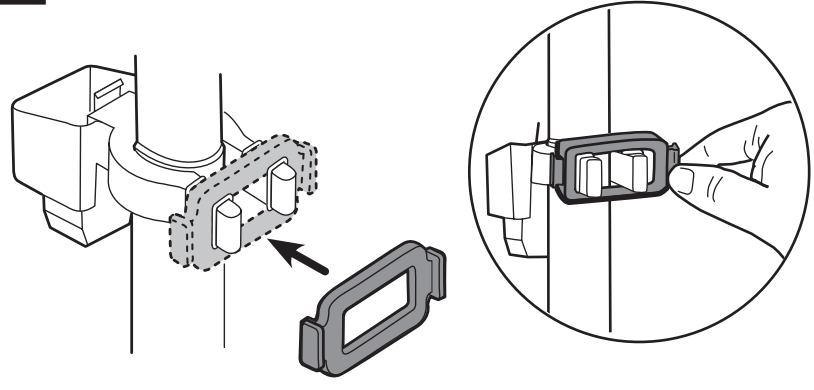
Medical and Surgical Requisites Pty Ltd
33 Fulcrum Street Richlands Queensland 4077
Email medsurg@medsurg.com.au



8



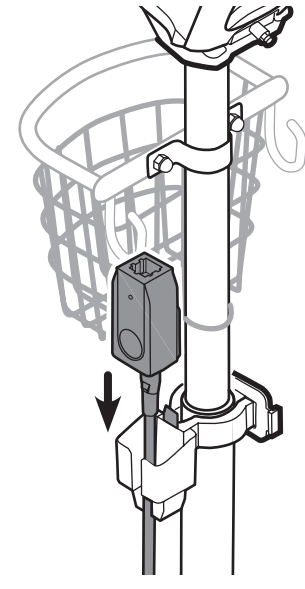
9



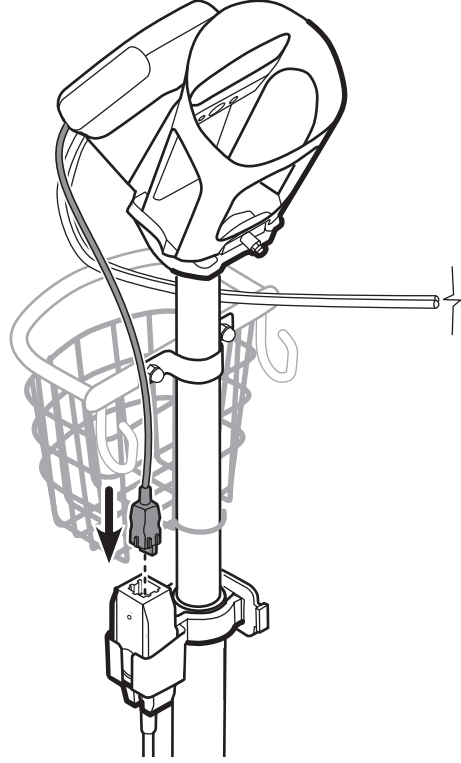
10



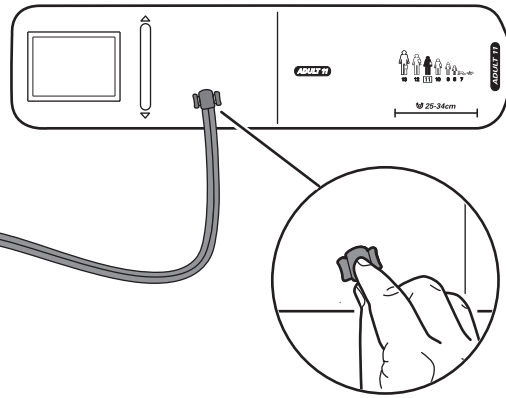
11



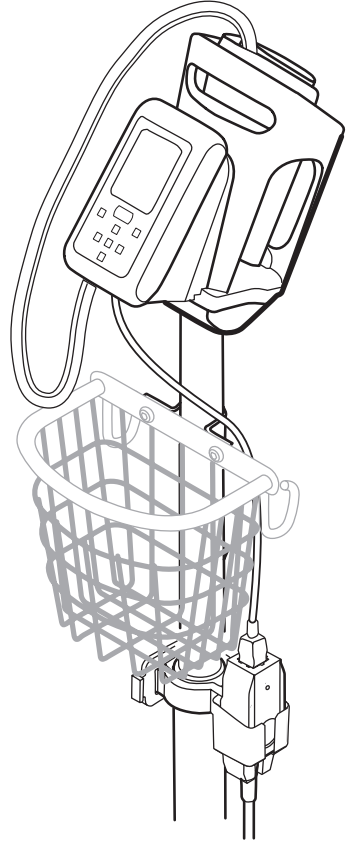
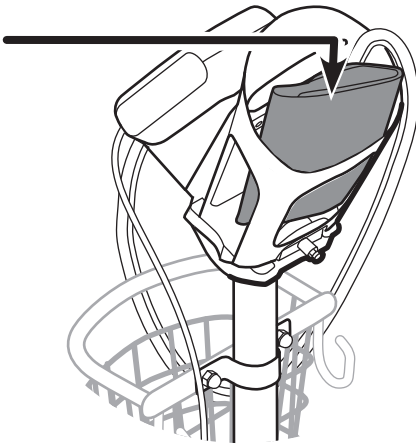
12



13



14



Medical and Surgical Requisites Pty Ltd

Call within Brisbane 07 3859 2900
 Phone 1300medsurg (1300 633 787)

33 Fulcrum Street Richlands Queensland 4077
 Email medical@medsurg.com.au

www.medsurg.com.au
 Fax 07 3859 2995



