



Supporting you

1300 362 923

www.healthtec.com.au

EXAMINATION TABLES

GP Universal Examination Table

Designed to comply with RACGP recommendations this electric HI-LO examination table fulfils the basic requirements of any General Practice.

The minimum height of 450mm allows for easy access for elderly or incapacitated patients while the maximum height of 950mm can quickly be achieved within 16 seconds.

Ideal for clinics where cubicle space is an issue as each end section can be manually raised to provide a backrest for left or right patient examinations and procedures.



Features

- Electric Height Adjustment with footswitch
- X-Frame Lift action minimises pinch and crush points
- Available with either adjustable feet or castors
- Durable powder coated rust resistant frame
- High quality anti-microbial vinyl & CFC free foam
- 5 year warranty on frame & electrics
- Australian designed & manufactured

Specifications

- 250kg Maximum Lifting Capacity (moving)
- 400kg Maximum Working Load (stationary)
- 450mm Minimum Height
- 950mm Maximum Height
- 710mm Table Width
- 1930mm Table Length
- Manual backrest adjustment +70° (Both end sections)

Available options:



5102 - Procedure Arm



5114 - Gynae Leg Supports



6017 - Paper Towel Roll Holder



The Healthtec Warranty

All Healthtec™ manufactured items are covered for defects in material or workmanship for 5 years from date of purchase. Original suppliers warranty applies.

TGA AR-00106892-6

© September 2013



Established 1922

Medical and Surgical Requisites Pty Ltd

Call within Brisbane 07 3859 2900
Phone 1300medsurg (1300 633 787)

33 Fulcrum Street Richlands Queensland 4077
Email medical@medsurg.com.au

www.medsurg.com.au
Fax 07 3859 2995





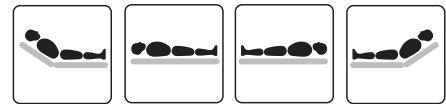
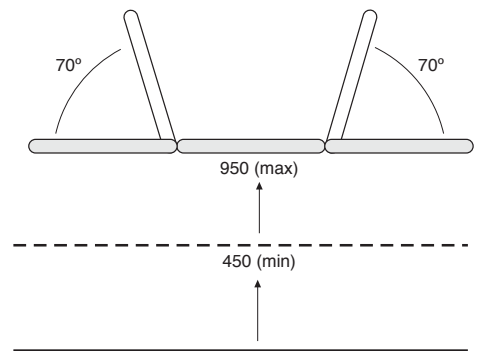
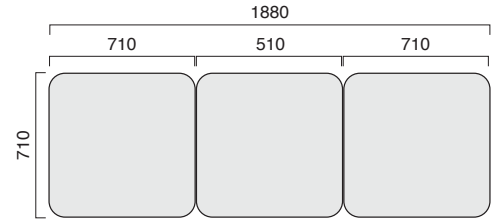
Supporting you

www.healthtec.com.au

PRICE SHEET

GP Universal Examination Table

	CODE	Qty
Product Description		
LynX GP Universal Examination Table (710 wide) w/adjustable Feet	53220T-7	
LynX GP Universal Examination Table (710 wide) w/castors	53221T-7	
Ezy-Move Wheel Option		
Retractable Ezy-Move Wheel	6000	
Width Options		
670mm Width Option	-65	
770mm Width Option	-75	
Custom Width Option	6014	
Foam & Vinyl Options		
75mm Comfort Foam	6005	
Non-Stock Vinyl Option	6018	
Leather Upgrade	6008	
*please refer to our colour chart for vinyl colour options		
Nose Hole Options		
Nose Hole — Examination Backrest	6011-2	
Nose Hole Plug	6010	
Examination Options		
Procedure Arm	5102	
Gynae Leg Supports	5114	
Table Protection		
Paper Towel Roll Holder	6017	
Disposable Fitted Bed Sheet – 10 per pack	ANWFIT	
Extended Warranty		
10 years Frame & Electrics	7800	
Freight		
Freight charges are not included in our prices. Please contact your Healthtec representative for freight costs and options.		
Shipping Dimensions	2050mm x 850mm x 650mm	
Shipping Weight	80kg (approximately)	



Medical and Surgical Requisites Pty Ltd

Call within Brisbane 07 3859 2900 33 Fulcrum Street Richlands Queensland 4077 www.medsurg.com.au
Phone 1300medsurg (1300 633 787) Email medical@medsurg.com.au Fax 07 3859 2995

