



Supporting you

1300 362 923

www.healthtec.com.au

BEAUTY & MASSAGE

Multi Therapy Chair

Ideal for a wide range of Treatments including, Podiatry, Beauty, Massage & Medispa Clinics.

Designed for the budget conscious practitioner looking for a reliable, sturdy chair designed for ultimate client comfort.

The electric seat lift positioning reduces pressure on the client's spine and relieves muscle tension allowing the client to be completely relaxed during injectable procedures.

The chair can quickly and easily convert into a comfortable massage table within seconds making it a complete multifunctional chair to share between practitioners.



Features

- Electric height adjustment with footswitch
- X-Frame lift action minimises pinch & crush points
- Heavy duty independently lockable castors
- Durable powder coated rust resistant frame
- High quality anti-microbial vinyl & CFC free foam
- Australian designed & manufactured
- 5 year warranty on electrics
- Lifetime structural warranty

Specifications

- 250kg Maximum Lifting Capacity (moving)
- 400kg Maximum Working Load (stationary)
- 450mm Minimum Height
- 950mm Maximum Height
- 650mm Table Width
- 1995mm Table Length
- Manual face crest adjustment +15° to -90°
- Manual adjustable backrest +70°
- Manual adjustable leg rest +45° to -90°
- Electrically operated seat lift function
- 1300mm Heel Height for Podiatry Work



The Healthtec Warranty

All Healthtec™ manufactured items are covered for defects in material or workmanship for 5 years from date of purchase. Original suppliers warranty applies.

TGA AR-00106892-6 © December 2013



Medical and Surgical Requisites Pty Ltd

Call within Brisbane 07 3859 2900 33 Fulcrum Street Richlands Queensland 4077 www.medsurg.com.au
Phone 1300medsurg (1300 633 787) Email medical@medsurg.com.au Fax 07 3859 2995





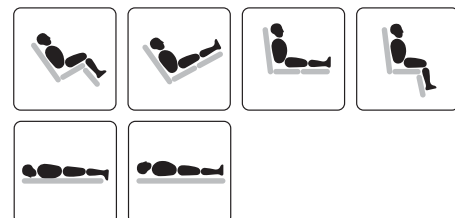
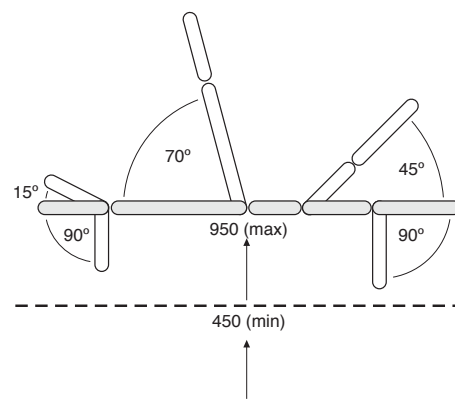
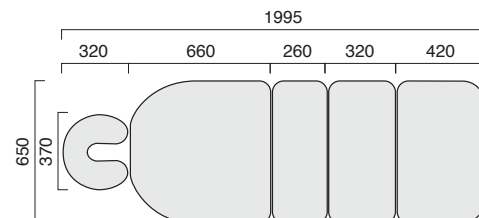
Supporting you

PRICE SHEET

www.healthtec.com.au

Multi Therapy Chair

	CODE	QTY
Product Description		
LynX Multi Therapy Chair (650 wide) with castors	53201T	
LynX Multi Therapy Chair (650 wide) with Electric Backrest & Castors	53201-EB	
Width Options		
710mm Width Option	-70	
750mm Wide Width Option	-75	
Vinyl Options		
Pellan Ultimate Vinyl Upgrade	6018	
Leather Upgrade	6008	
*please refer to our colour chart for vinyl colour options		
Headrest Options		
Supine Head Pad (square)	5117	
Arm Rest Options		
Side Arm Rests	5110	
Prone Arm Rest (Massage)	5119	
Foot Switch Options		
Additional Foot Swtich (Double)	6024T	
Table Protection		
Contour Table Cover	7200	
Face Crest Cushion Cover	7212	
Prone Arm Rest Cover	7211	
Supine Head Pad Cover	7213	
Fitted Head Rest Cover (disposable – pack of 100)	ANWHRC	
Extended Warranty		
10 years Electrics	7800	
Freight		
Freight charges are not included in our prices. Please contact your Healthtec representative for freight costs and options.		
Shipping Dimensions	2050mm x 850mm x 650mm	
Shipping Weight	80kg (approximately)	



Medical and Surgical Requisites Pty Ltd

Call within Brisbane 07 3859 2900 33 Fulcrum Street Richlands Queensland 4077 www.medsurg.com.au
 Phone 1300medsurg (1300 633 787) Email medical@medsurg.com.au Fax 07 3859 2995

