

Technology for the observation room and minor surgery

# primoled



Established 1922

## Medical and Surgical Requisites Pty Ltd

Call within Brisbane 07 3859 2900 33 Fulcrum Street Richlands Queensland 4077 [www.medsurg.com.au](http://www.medsurg.com.au)  
Phone 1300medsurg (1300 633 787) Email [medical@medsurg.com.au](mailto:medical@medsurg.com.au) Fax 07 3859 2995



With its appealing design,  
PRIMALED is a concentration  
of unparalleled-performance  
technology, the best for an  
observation lamp



The importance of light during surgeries is related to the need to guarantee the reliability of the visual information perceived by the surgeon during the operation.

Proper lighting makes for comfortable working conditions, reduces stress levels, minimizes the feeling of tiredness and increases productivity.

The quality of artificial illumination has primary importance and it is directly proportional to the difficulty of the task requested.

RIMSA, inspired by nature, has chosen a white light similar to sunlight at Zenith for its Led lamps.



Established 1922

## Medical and Surgical Requisites Pty Ltd

Call within Brisbane 07 3859 2900 33 Fulcrum Street Richlands Queensland 4077 [www.medsurg.com.au](http://www.medsurg.com.au)  
Phone 1300medsurg (1300 633 787) Email [medical@medsurg.com.au](mailto:medical@medsurg.com.au) Fax 07 3859 2995



# primoled



The following functions are controlled by the keys on the membrane keyboard:

- on/off
- selection of the 5000°K and 4500°K colour temperatures
- 6-level adjustment of the light intensity
- courtesy light



Established 1922

## Medical and Surgical Requisites Pty Ltd

Call within Brisbane 07 3859 2900 33 Fulcrum Street Richlands Queensland 4077 [www.medsurg.com.au](http://www.medsurg.com.au)  
Phone 1300medsurg (1300 633 787) Email [medical@medsurg.com.au](mailto:medical@medsurg.com.au) Fax 07 3859 2995



# Technology for the observation room and minor surgery

With its appealing design, PRIMALED is a concentration of unparalleled-performance technology, the best for an observation lamp

It consists of 9 LED lenses split up into two separate 6+3 circuits. The lamp lens has been designed to provide focused and deep lighting. The diameter of the lighted field is 14 cm @ 0.5m. The Ergo\_Spring balancing system makes PRIMALED very easy to handle and stable.

PRIMALED is an examination lamp in compliance with Directives 93/42 EEC and 2007/43 EC and is **CE** marked as a **Class 1 medical device**.

The radial layout of the lenses and the large-diameter lamp (195mm) permit shadow suppression and three-dimensional lighting.



# primaled



Established 1922

**Medical and Surgical Requisites Pty Ltd**

Call within Brisbane 07 3859 2900 33 Fulcrum Street Richlands Queensland 4077 [www.medsurg.com.au](http://www.medsurg.com.au)  
Phone 1300medsurg (1300 633 787) Email [medical@medsurg.com.au](mailto:medical@medsurg.com.au) Fax 07 3859 2995





The gooseneck arm version highly increases the manoeuvrability of the lamp



PRIMALED is suitable for any type of installation, from the doctor's surgery to the intensive-care unit



The first ever examination lamp to integrate an ambient light option as well as the traditional concentrated light. This function can be activated by simply pressing a key



Established 1922

**Medical and Surgical Requisites Pty Ltd**

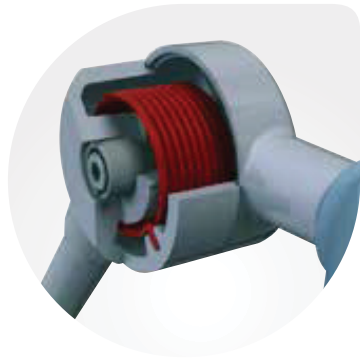
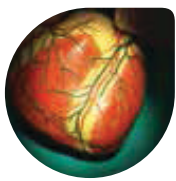
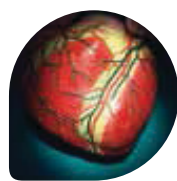
Call within Brisbane 07 3859 2900  
Phone 1300medsurg (1300 633 787)

33 Fulcrum Street Richlands Queensland 4077  
Email [medical@medsurg.com.au](mailto:medical@medsurg.com.au)

[www.medsurg.com.au](http://www.medsurg.com.au)  
Fax 07 3859 2995



Professionalism and quality distinguish all RIMSA products: the result of more than seventy years' experience in the field.



**Colour selection**

PRIMALED, pioneer in white light LED colour change, features a colour temperature sensor (4500-5000 Kelvin). Colour change is by means of the use of monochromatic LEDs only, to prevent colour break-up in the area to be observed. The comparison between the two colours (K) increases the visibility of details and adapts to the physician's preference.

**5000°K – 4500°K**

By simply pressing the digital key K on the membrane keyboard, it is possible to choose between two different white light temperatures – 5000°K and 4500°K – without altering the light intensity.

**Ergo\_Spring**

the movement of the articulated tubular arm is servo-assisted by a torsion spring which ensures lightness of movement and positioning stability. PRIMALED is the first ever lamp in the world to combine an articulated structure with spring balancing – it's like moving a feather. Ergo\_Spring is a study project created in the RIMSA research and development centre.

**80.000 lux**

the experience acquired in designing lamps for operating theatres has made it possible for PRIMALED to achieve a very high light intensity: 80.000 lux @ 0.5m at 4500K and 5000K, the only lamp in the world with similar performance standards.

**Cold light**

the reduced emission of IR rays by the LEDs together with the low power employed permits obtaining minimum heat emission to the benefit of the comfort of both patient and doctor.



**Design**

the round and ultra-flat shape of the light makes the product ergonomic and suitable for any type of installation, from the doctor's surgery to the intensive-care unit.



**Medical and Surgical Requisites Pty Ltd**

Call within Brisbane 07 3859 2900 33 Fulcrum Street Richlands Queensland 4077 www.medsurg.com.au  
 Phone 1300medsurg (1300 633 787) Email medical@medsurg.com.au Fax 07 3859 2995





## Adjusting the light intensity

light intensity can be adjusted at six different levels by means of the keys on the front membrane. Light intensity can also be adjusted for the Courtesy light function (ambient light).

## Shadow suppression

the radial layout of the lenses and the large-diameter lamp (195mm) permit shadow suppression and three-dimensional lighting.

## Asepsis

the smooth and rounded shape of the dome and structure make it easy to clean and disinfect.



## Courtesy\_light

the first every examination lamp to integrate an ambient light option as well as the traditional concentrated light. This function can be activated by simply pressing a key.

## 50.000 hours

The top dome, in aluminium, allows heat exchange, reducing the work temperature and consequently considerably increasing the life cycle of the single LEDs – over 50,000 hours. In this case, the maintenance cost, comparable to the replacement of a halogen lamp, is non-existent.



## Sterilizable handle

the first ever examination lamp to feature a removable handle suitable for sterilization. PRIMALED considers asepsis to be very important.

## Mechanical testing and user safety

die-cast aluminium and tubular steel structure, exclusive RIMSA design. The articulated arm has undergone mechanical testing for 40,000 continuous movements to ensure maximum safety for the user during use. The absence of holes and openings makes the product safer, more hygienic and easier to clean.



## Components, assistance and Italian spare parts

spare part availability is ensured over time and after-sales service is provided by carefully selected distributors. RIMSA products have been distinguished by top professional standards and quality for more than seventy years.

## IEC 60601-2-41

last but not least, PRIMALED complies with IEC 60601-1 and 60601-1-2 general medical standards and to special standard IEC 60601-2-41. PRIMALED can also be used in intensive care units.



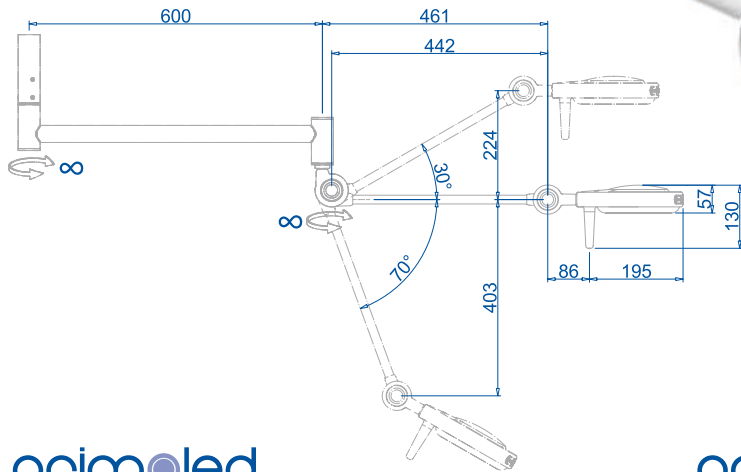
Established 1922

## Medical and Surgical Requisites Pty Ltd

Call within Brisbane 07 3859 2900 33 Fulcrum Street Richlands Queensland 4077 www.medsurg.com.au  
Phone 1300medsurg (1300 633 787) Email medical@medsurg.com.au Fax 07 3859 2995

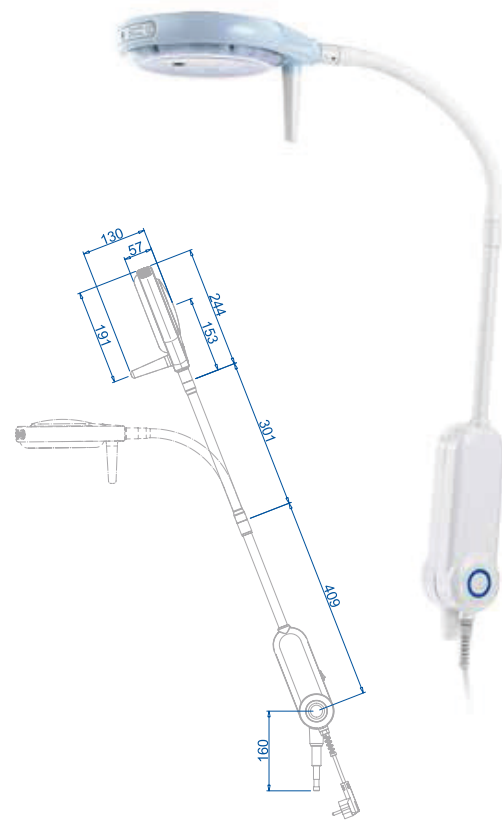
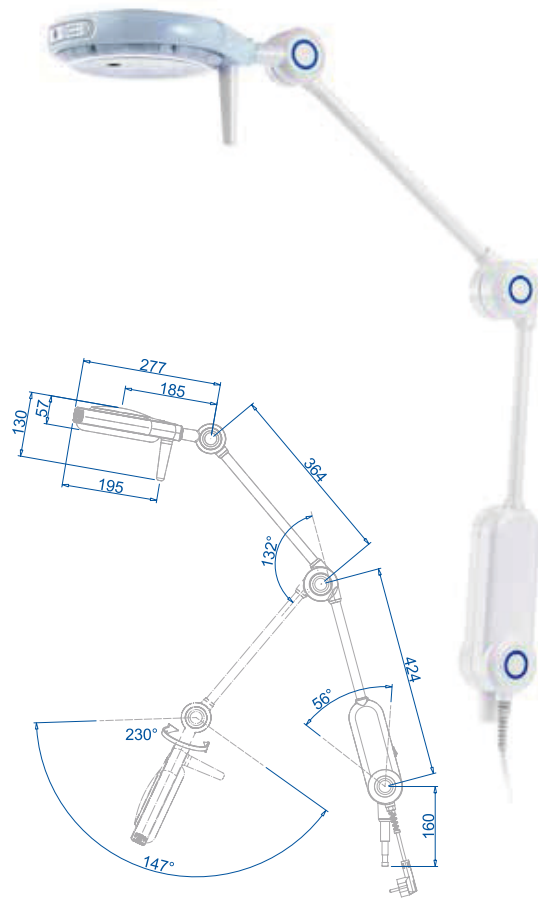


primaled ceiling  
PRIMASO



primaled  
PRIMA

primaled-flex  
PRIMAFLEX



Medical and Surgical Requisites Pty Ltd

Call within Brisbane 07 3859 2900  
Phone 1300medsurg (1300 633 787)

33 Fulcrum Street Richlands Queensland 4077  
Email medical@medsurg.com.au

www.medsurg.com.au  
Fax 07 3859 2995







primaled-flex

**Performances:**

Light intensity at 0,5m distance (Ec) @ 5.000k	86 Klx
Light intensity at 0,5m distance (Ec) @ 4.500k	80 Klx
Color temperature: double selection	4500 / 5000° K
Color rendering index (CRI)	95 Ra
d10 light field diameter @50cm (Ec)	140 mm
Total radiated energy Ee where the illuminance reaches max level (W/m2)	225
Ratio between radiated energy Ee and illuminance Ec (mW/m2lx)	2,80
Primary alternating voltage (V a.c.)	80 ÷ 240
Secondary continue voltage (V d.c.)	24
Frequency (Hz)	50/60
Absorbed power (VA)	21
Control of the illuminance (%)	25 – 100 in 6 steps
Directive	2007/47/EC
Standards	IEC60601-2-41
Classification of product (Medical Device)	Class I
Weight (kg)	3,3

**Fixing systems:**



Caster base  
RL



Wall clamp  
S12MED



Table clamp  
S11



Rail clamp  
100226



Established 1922

**Medical and Surgical Requisites Pty Ltd**

Call within Brisbane 07 3859 2900 33 Fulcrum Street Richlands Queensland 4077 www.medsurg.com.au  
 Phone 1300medsurg (1300 633 787) Email medical@medsurg.com.au Fax 07 3859 2995

