

ENG

TEVISIO | MAGNIFIER LUMINAIRE

LED



Established 1922

Medical and Surgical Requisites Pty Ltd

Call within Brisbane 07 3859 2900
Phone 1300medsurg (1300 633 787)

33 Fulcrum Street Richlands Queensland 4077
Email medical@medsurg.com.au

www.medsurg.com.au
Fax 07 3859 2995





TEVISIO. EFFICIENCY WITH FLEXIBILITY AND QUALITY OF VISION.

Whether in laboratories or in the electronics, metal-working or watch-making industries, TEVISIO is essential wherever your eyes are put to the test. In manufacturing, assembly, quality assurance or general examination, it applies ergonomic perfection to support highly demanding visual tasks. With the latest LED's, innovative arm technology and a visual field designed for optimum performance, the TEVISIO magnifier luminaire combines high efficiency with ergonomic design in the workplace.

- 48 premium SMD LED's
- 40% energy savings
- Illuminance: 6,000 lux using only 14 watts
- Maintenance-free: LED life of up to 50,000+ hours
- Continuous dimming to 10%
- 3-D shadow effects with the flick of a switch
- 1A colour reproduction
- 3.5 dioptre magnification
- Scratch-proof glass
- Wide-angle lens Ø 153 mm for distortion-free vision
- Manufactured from aluminium and high performance plastic
- Sealed joints to protect internal cables
- Large arm radius with innovative flexible head joint
- Balanced arm: easily adjustable, fixing as required



Established 1922

Medical and Surgical Requisites Pty Ltd

Call within Brisbane 07 3859 2900
Phone 1300medsurg (1300 633 787)

33 Fulcrum Street Richlands Queensland 4077
Email medical@medsurg.com.au

www.medsurg.com.au
Fax 07 3859 2995



TEVISIO

MAKES THE DIFFERENCE VISIBLE.



Optimal lighting

To allow precise visual operation, TEVISIO has a continuous dimming facility from 100% to 10%. The integrated visualizer function* incorporates three separately switchable light segments. This allows different scenarios to be created to emphasise the surface structure, which can reveal cracks and structural changes.

Level 1A colour reproduction, corresponding to $R_a = 90$, emphasises colours and colour differences. The 3.5 dioptre magnifier doubles the size of even the smallest details. For high precision work, an 8-dioptre accessory lens* provides a total magnification of 11.5 dioptres.

*see overview of optional accessories



Flexible or fixed positioning

The impressive reach of the TEVISIO arm with its highly flexible head joint enables a wide range of positioning and working options.

For maximum operating flexibility, TEVISIO offers a choice of two arm lengths.

Innovative balanced-arm technology (patent pending) allows easy adjustment and precise positioning via six independent swivel joints.



Economical and built to last

Compared with conventional magnifier luminaires, TEVISIO is 40% more efficient while maintaining high illuminance levels. At an illumination level of 6,000 lux the power consumption is only 14 watts.

The long LED life of up to 50,000+ hours saves on maintenance and downtime costs. This makes TEVISIO highly economical to operate.

The TEVISIO arm has a minimum life of 20,000 movement cycles, demonstrating the durability of Waldmann design.



Medical and Surgical Requisites Pty Ltd

Call within Brisbane 07 3859 2900
Phone 1300medsurg (1300 633 787)

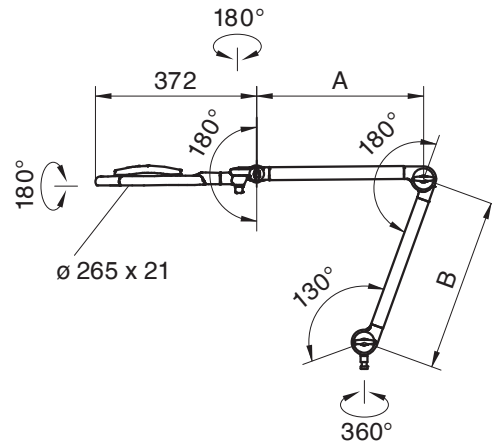
33 Fulcrum Street Richlands Queensland 4077
Email medical@medsurg.com.au

www.medsurg.com.au
Fax 07 3859 2995



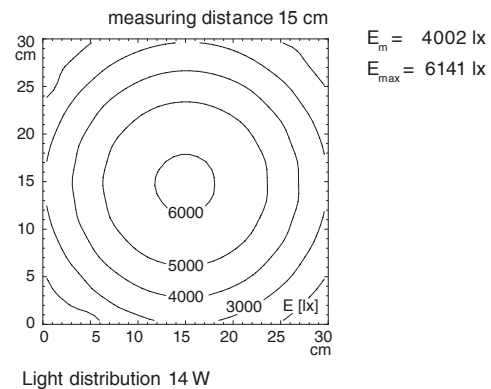
TECHNICAL DATA

efficient *light*



Features at a glance

- 48 x LED
- Power consumption 14 watts
- Colour temperature neutral white 4,000K
- Light guidance via reflector
- Glass lens Ø 153 mm with 3.5 dioptr magnification or 3.5 + 8 dioptr (with a bonded optional lens)
- Housing made of anodised aluminium and black high-performance plastic
- Flexible head joint for individual adjustment
- Spring-balanced arm
- Touch panel integrated in the luminaire head for on/off, dimming or visualizer function
- IP20, double insulated (class II)
- 100 – 240V, 50/60 Hz operation c/w 3.8m power cable with plug
- Optional mounting accessories (see catalog)



ARM LENGTH	VISUALIZER	ADD-ON LENS	MODEL	ORDER NUMBER
A= 484 mm B= 500 mm			RLLQ 48 R	112 918 000 - 004 908 93
A= 484 mm B= 500 mm		•	RLLQ 48 R	112 918 001 - 004 991 54
A= 484 mm B= 500 mm	•		RLLQ 48/2 R	112 918 002 - 005 090 20
A= 484 mm B= 500 mm	•	•	RLLQ 48/2 R	112 918 003 - 005 090 17
A= 384 mm B= 400 mm			RLLQ 48 R	112 919 000 - 004 917 86
A= 384 mm B= 400 mm		•	RLLQ 48 R	112 919 001 - 004 991 59
A= 384 mm B= 400 mm	•		RLLQ 48/2 R	112 919 002 - 004 991 64
A= 384 mm B= 400 mm	•	•	RLLQ 48/2 R	112 919 003 - 004 991 70



Medical and Surgical Requisites Pty Ltd

Call within Brisbane 07 3859 2900
Phone 1300medsurg (1300 633 787)

33 Fulcrum Street Richlands Queensland 4077
Email medical@medsurg.com.au

www.medsurg.com.au
Fax 07 3859 2995





A MASTERPIECE IN ERGONOMICS AND QUALITY.

TEVISIO stands for ergonomic design. Its wide field of vision is distortion-free and has a userfriendly, intuitive operation. Smooth surfaces enable easy cleaning

Durability is guaranteed by the combination of a scratch-proof glass magnifier with an aluminium and high-performance metal replacing GRIVORY® GVX plastic construction. Sealed joints and internal cabling demonstrate Waldmann's premium workmanship standards.



Established 1922

Medical and Surgical Requisites Pty Ltd

Call within Brisbane 07 3859 2900 33 Fulcrum Street Richlands Queensland 4077 www.medsurg.com.au
Phone 1300medsurg (1300 633 787) Email medical@medsurg.com.au Fax 07 3859 2995

