



ULEDPlus

### APPLICATION

- Surgeries
- First Aid Stations
- Intensive Care
- Recovery Rooms
- Emergency Departments
- All other Diagnostic specialisations

ULED PLUS Data Sheet

## ULEDPlus

ULEDPlus is identical to the ULED but has 33% more bright light output. ULEDPlus is a significant step beyond traditional halogen examination lights and other LED fixtures. Specifically designed for close examination and minor procedure lighting tasks, where a very powerful yet infinitely adjustable cool light is required, the ULEDPlus is the best possible solution for hospital wards, consulting rooms and clinics.

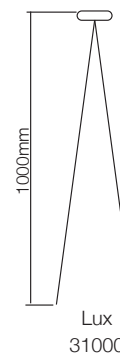
A key ULEDPlus feature is a push button to detach the light head from the arm and so facilitate upgrade, exchange or maintenance without a technician.

### MOUNTING

Ceiling, Trolley, Wall, Extended Wall, Twin

### FEATURES

- 31,000 lux at 1m
- Light field diameter: 290mm (D10) & 145mm (D50)
- Cyanosis compliant to AS/NZS 1680.2.5
- Cardiac protection version available (fully earthed)
- Colour temperature : 4000K
- Colour rendering (Ra) : 96 R9:97
- Easy clean membrane switch, with dimming control
- Detachable head
- All metal construction with powder coat finish for durability and easy cleaning
- 50,000 hour LED life (L70) over 15-25 years in normal use
- Easy access on/off switch in head
- Warranty 5 years on head and LEDs
- Total power consumption 20W
- Australian designed and manufactured
- Only 5kgs including typical mounts



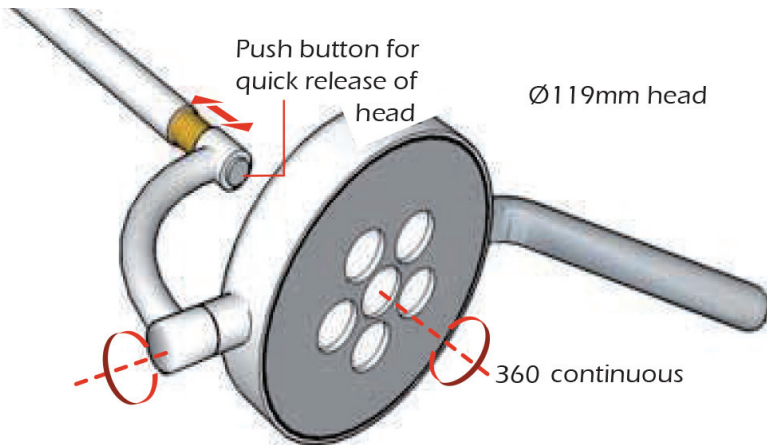
## Membrane Switch

Easy clean IP65 membrane switch with ON/OFF switching and 4 stage dimming control.



## Detachable Head

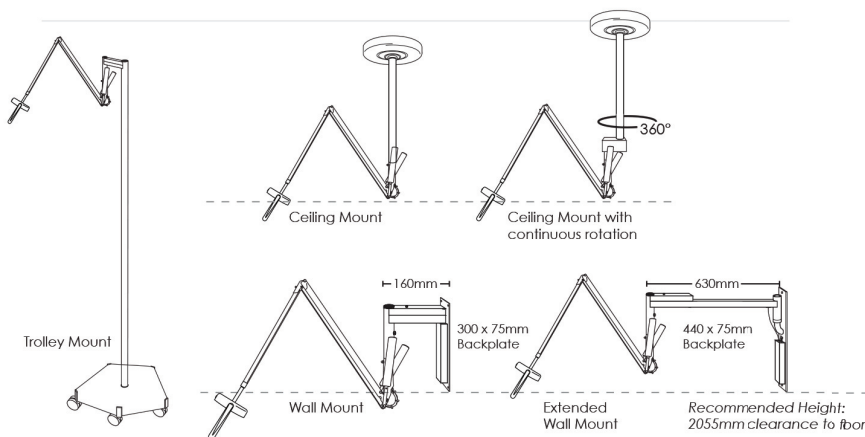
The ULEDPlus features unlimited continuous rotation through arm axis, and a quick release detachable head. Service and maintenance is as easy as pushing a button.



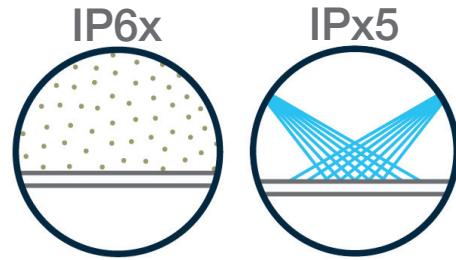
## Product Range

Code	Description	Power
ULEDPlus-UW	Wall mount with integral transformer.	20W
ULEDPlus-UWEX	Wall mount with extended bracket and integral transformer.	20W
ULEDPlus-UC	Ceiling mount to suit a floor to ceiling fixing point of 2700mm, and integral transformer.	20W
ULEDPlus-UTLY	Mobile trolley including integral transformer.	20W

For custom floor height please contact Planet Lighting

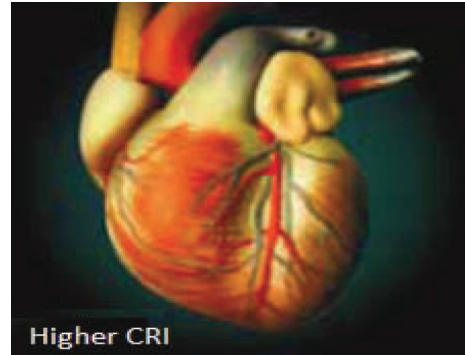


## Clean Safe IP65 Head

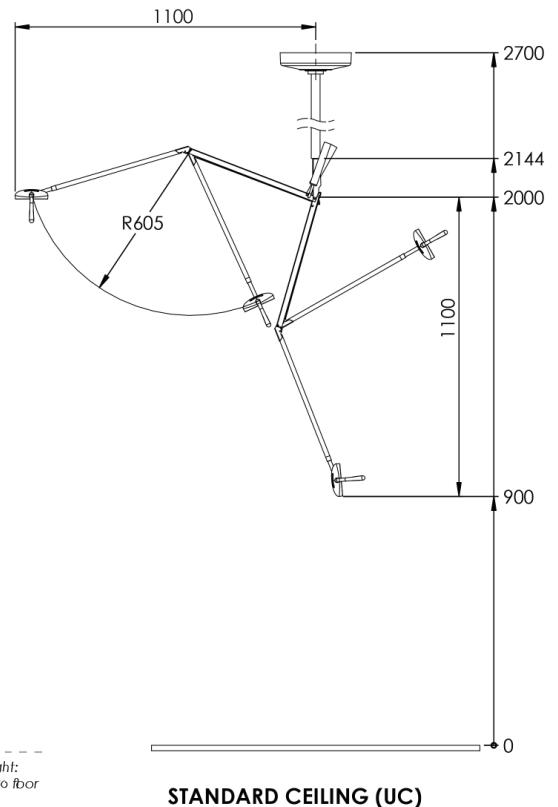


According to the standard 'IEC 60529', for an IP65 item the first numeral '6' means this item is completely protected against the ingress of dust, and the second numeral '5' indicates protection against jets of water from all directions.

## Cyanosis Observation



The ULEDPlus is approved for use in areas requiring compliance with AS/NZS 1680.2.5 for Cyanosis Observation



## ULED PLUS Data Sheet



Established 1922

## Medical and Surgical Requisites Pty Ltd

Call within Brisbane 07 3859 2900  
Phone 1300medsurg (1300 633 787)

33 Fulcrum Street Richlands Queensland 4077  
Email medical@medsurg.com.au

www.medsurg.com.au  
Fax 07 3859 2995

