

**D<sup>med</sup>® VISANO**

A MASTERPIECE AMONG EXAMINATION LIGHTS



LED



Established 1922

**Medical and Surgical Requisites Pty Ltd**

Call within Brisbane 07 3859 2900  
Phone 1300medsurg (1300 633 787)

33 Fulcrum Street Richlands Queensland 4077  
Email [medical@medsurg.com.au](mailto:medical@medsurg.com.au)

[www.medsurg.com.au](http://www.medsurg.com.au)  
Fax 07 3859 2995



# THE NEW D<sup>med</sup>® VISANO

## INNOVATION AND DESIGN SHINE THROUGH

Wherever the highest standards of vision are necessary, excellent lighting is key. In the medical field, for family practice or dermatology, ENT or gynecology, and particularly in high-risk areas such as neonatology or intensive care, D<sup>med</sup>® visano is a true multi-talent. Thanks to its unique design, modern lighting technology and the highest quality materials, the end result is optimal illumination for examinations and procedures.

- **Excellent lighting quality:**

A unique head design, diamond optics and premium LEDs provide an evenly lit field of vision (60,000 lux at 0.5 meter), as well as excellent color rendering (Ra > 93, R13 > 93)

- **Safety Approval:**

Meets IEC 60601 medical standards – unique in its class

- **Maximum reach and ergonomics:**

360° turnover axis at the luminaire head and a long, 42-inch arm reach

- **Four dimming levels:**

Customize the degree of light needed for optimal exam conditions

- **Easy cleaning and hygienic:**

Maintenance-free, enclosed housing with an antimicrobial sanitized® hygiene material – cleanable with disinfectant spray (IP43)

- **High quality components:**

Made with sturdy aluminum for strength and long service life

- **Built-in transformer:**

For maximum electrical safety and energy efficiency

- **Low power consumption:**

16 premium LEDs and a built-in transformer ensure a long and economical service life



Established 1922

### Medical and Surgical Requisites Pty Ltd

Call within Brisbane 07 3859 2900 33 Fulcrum Street Richlands Queensland 4077 www.medsurg.com.au  
 Phone 1300medsurg (1300 633 787) Email medical@medsurg.com.au Fax 07 3859 2995





**Unique optics design:**  
365 fine ridges provide optimal color mixing of light



**Spring-balanced friction joint:**  
Can be easily maneuvered and locked into position



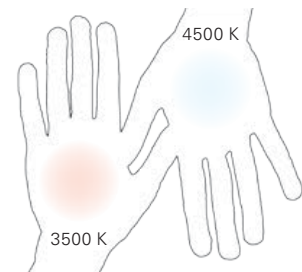
**Intuitive control panel:**  
Ergonomic and intuitive to operate with one hand



LED



**Concave lighting head:**  
Optimal light focus and even light field for surgical quality



**Custom light color:**  
For optimal color disparity for accurate diagnoses (optional)



Established 1922

## Medical and Surgical Requisites Pty Ltd

Call within Brisbane 07 3859 2900  
Phone 1300medsurg (1300 633 787)

33 Fulcrum Street Richlands Queensland 4077  
Email [medical@medsurg.com.au](mailto:medical@medsurg.com.au)

[www.medsurg.com.au](http://www.medsurg.com.au)  
Fax 07 3859 2995



## FOR THE HIGHEST DEMANDS VERSATILE AND HYGIENIC

The new D<sup>med</sup>® visano has several optional features for the diverse nature of its applications. Available in either ceiling or wall mount versions, D<sup>med</sup>® visano works easily with any room configuration. There is also a color change option for exams or procedures where color disparity is necessary. While you enjoy the ease of the ergonomic handling, the antimicrobial sanitized hygiene feature prevents the growth of microorganisms on the light's surface.



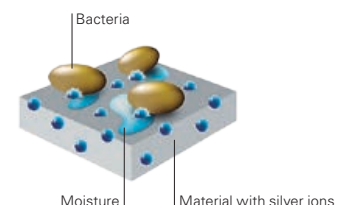
### BACTERIA REDUCTION THROUGH SILVER IONS

#### Protection against spread of bacteria

The luminaire head is a critical area for the spread of harmful bacteria and germs. They can reproduce within 20 minutes on untreated materials. The upper luminaire housing, control panel and the hand wheels of the joints are manufactured with material to keep these critical areas sanitary. Please note: this feature does not replace the need for regular cleaning.

#### Integrated during manufacturing

The antimicrobial sanitized hygiene protective component is integrated into the lamp head during manufacturing. It inhibits the growth and proliferation of microbes and bacteria while the silver ions destabilize the cell membrane. This prevents the bacteria from growing. Tests have shown that 99% of bacteria and germs were destroyed using this material. The concentration of silver ions in the light head of the D<sup>med</sup>® visano is not hazardous to the health of the user or patient.



[www.sanitized.com](http://www.sanitized.com)



Established 1922

### Medical and Surgical Requisites Pty Ltd

Call within Brisbane 07 3859 2900 33 Fulcrum Street Richlands Queensland 4077 [www.medsurg.com.au](http://www.medsurg.com.au)  
Phone 1300medsurg (1300 633 787) Email [medical@medsurg.com.au](mailto:medical@medsurg.com.au) Fax 07 3859 2995



# CUSTOMIZE

## AN IDEAL OPTION FOR EVERY SITUATION

### Ceiling version

- Color changing feature: 3500K and 4500K
- Illumination intensity 60,000 lx/0.5 m
- Illuminated area: 190 mm
- Four dimming levels
- Minimum shadow and smooth, even light field
- Ceiling pole max. 115 cm in length (can be cut to length)
- Pure white / Gray



### Wall version

- Color changing feature: 3500K and 4500K
- Illumination intensity 60,000 lx/0.5 m
- Illuminated area: 190 mm
- Four dimming levels
- Minimum shadow and smooth, even light field
- Wall mount with pin
- Pure white / Gray



Established 1922

## Medical and Surgical Requisites Pty Ltd

Call within Brisbane 07 3859 2900  
Phone 1300medsurg (1300 633 787)

33 Fulcrum Street Richlands Queensland 4077  
Email [medical@medsurg.com.au](mailto:medical@medsurg.com.au)

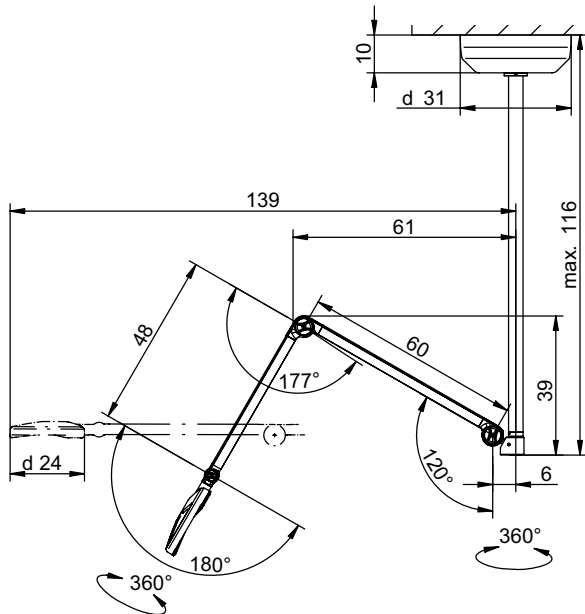
[www.medsurg.com.au](http://www.medsurg.com.au)  
Fax 07 3859 2995



# SPECIFICATIONS

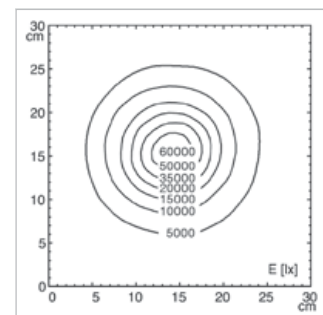
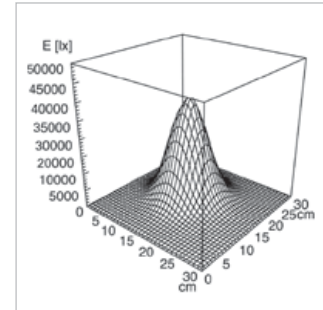
D<sup>med</sup>® visano

Technical drawing 20-2 C T1



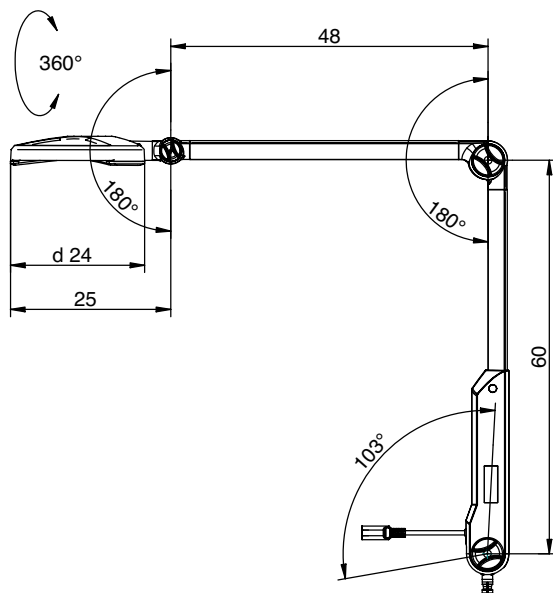
(Dimensions are in centimeters)

Light distribution



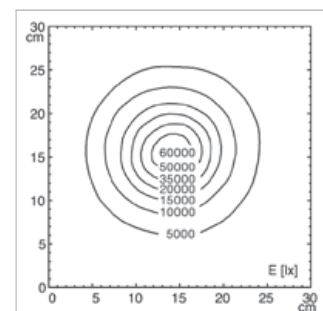
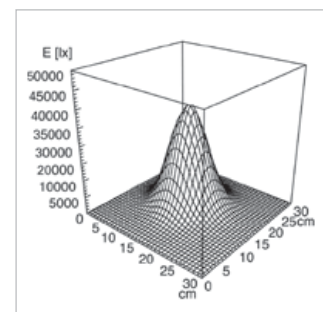
Photometric data -10% / +20% tolerance

Technical drawing 20-2 P TX



(Dimensions are in centimeters)

Light distribution



Photometric data -10% / +20% tolerance



Established 1922

**Medical and Surgical Requisites Pty Ltd**

Call within Brisbane 07 3859 2900 33 Fulcrum Street Richlands Queensland 4077 www.medsurg.com.au  
Phone 1300medsurg (1300 633 787) Email medical@medsurg.com.au Fax 07 3859 2995



# ORDER NUMBERS

## D<sup>med</sup>® visano ceiling version with color change

D<sup>med</sup>® visano 20-2 C T1

D15.450.000

## D<sup>med</sup>® visano wall version with color change

D<sup>med</sup>® visano 20-2 P TX

D15.451.000

Euro

D<sup>med</sup>® visano 20-2 P TX

D15.456.000

UK

## ACCESSORIES

### EXTENSION ARM



MATERIAL	Powder-coated steel / steel pipe
DIMENSIONS	400 mm, Ø 16 mm
WEIGHT (NET)	approximately 0.65 kg
FOR STUD Ø	16 mm-Q with removal protection
CAPACITY	2.5 kg
<b>ORDER NO.</b>	<b>D13.363.000</b> - pure white

### ROLLING TRIPOD R TELESCOPE



MATERIAL	Stainless steel
DIMENSIONS	0.8 - 1.4 m
WEIGHT (NET)	6.25 kg
FOR PIN Ø	16 mm-Q with removal protection
<b>ORDER NO.</b>	<b>D14.911.000</b> (with Telescope) <b>D14.022.000</b> (without Telescope)

### RAIL MOUNTING



MATERIAL	Aluminum
EQUIPMENT RAIL	25-35 x 8-10 mm
<b>ORDER NO.</b>	<b>D13.363.000</b>

### TABLE CLAMP



MATERIAL	Polyamide steel
<b>BESTELL-NR.</b>	<b>D14.228.000</b> - black

### WALL BRACKET



MATERIAL	Polyamide GF
<b>ORDER NO.</b>	<b>D13.231.000</b> - pure white



## Medical and Surgical Requisites Pty Ltd

Call within Brisbane 07 3859 2900 33 Fulcrum Street Richlands Queensland 4077 www.medsurg.com.au  
 Phone 1300medsurg (1300 633 787) Email medical@medsurg.com.au Fax 07 3859 2995

